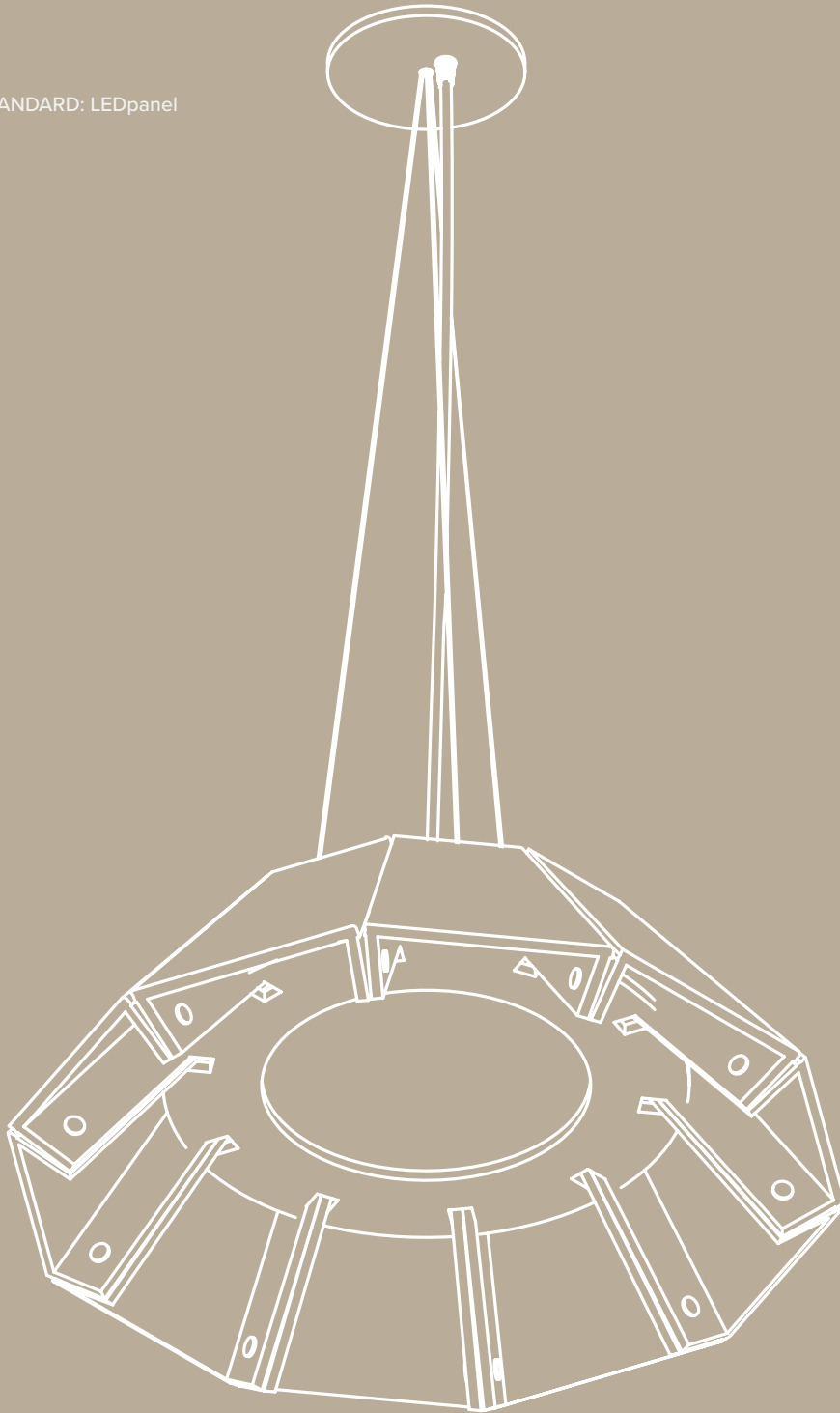


SPACE



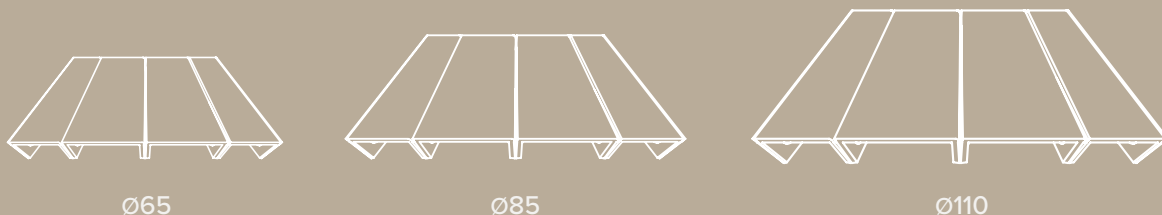
STANDARD: LEDpanel



TECHNICAL SPECIFICATIONS **SPACE**



Input Voltage:	AC85-265V, 50/60Hz
LED Power SPACE65:	28W (2520lm)
LED Power SPACE85:	38W (3420lm)
LED Power SPACE110:	48W (4320lm)
Efficiency(lm/w):	90lm/w
LED Type:	SMD2835 (LEDpanel)
Color Rendering Index(CRI):	80 Ra
Dimensions SPACE65:	Ø65x30cm
Dimensions SPACE85:	Ø85x40cm
Dimensions SPACE110:	Ø110x50cm
Cable length:	200cm
Control:	LampSmartPro app/Remote



TECHNICAL SPECIFICATIONS **PET BOARD**

Composition:	100% PET (> 70% recycled PET)
Thickness:	9mm
Density:	210kg/m ³
Weight:	1900g/m ² (± 2%)
Number of PET-bottles:	55/m ²

PETpanel colors: 33

Fire test EN 13501-1: B-S1, d0 (B: nearly non-combustible S1: low smoke production d0: no droplet formation during fire)

Sound-absorbing surface SPACE65:	1,17m ² (± 5%)
Sound-absorbing surface SPACE85:	2,20m ² (± 5%)
Sound-absorbing surface SPACE110:	3,63m ² (± 5%)

Sound absorption petboard aw/m ² :	0,25
Sound absorption petboard NRC/m ² :	0,30



INSTALLATION GUIDE **SPACE**

IMPORTANT SAFETY INSTRUCTIONS

Before assembling your lighting fixture, please make sure that you carefully read through this instruction sheet. Save this instruction sheet and refer to it when additions to or changes in the fixture configuration are made.

IF YOU ARE NOT FAMILIAR WITH THE INSTALLATION OF LUMINAIRES THEN WE WOULD RECOMMEND TO CONSULT A QUALIFIED ELECTRICIAN TO ENSURE THIS PRODUCT IS PROPERLY INSTALLED.

NOTE: The important safeguards and instructions that appear in this manual are not meant to cover all possible conditions and situations that may occur. It must be understood that common sense, caution, and care, are factors that can't be built into any product. These factors must be supplied by the person(s) caring for and operating the fixture.

Read all instructions

Do not install this fixture in hazardous locations (for example do not hang the lamp in direct sunlight)

Do not install any fixture assembly closer than 20 centimeter from any curtain or similar combustible material.

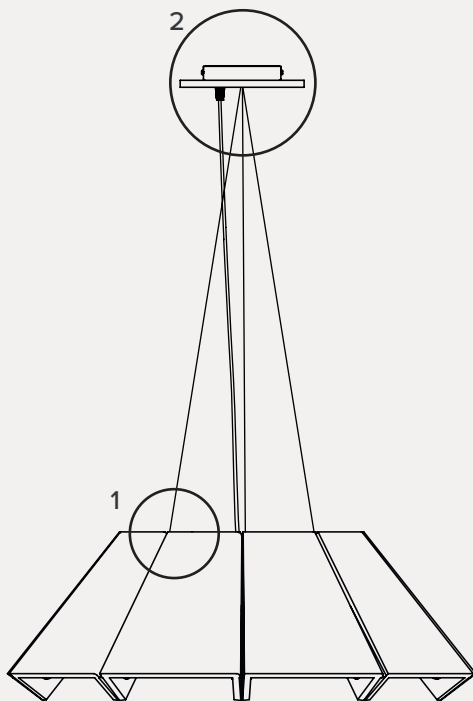
“WARNING Risk of Fire and Electric Shock.” Wear appropriate safety gear, such as gloves and safety goggles, to protect yourself from potential electrical hazards.

Ensure that the mounting surface and supporting hardware can safely bear the weight of the lamp. Follow the manufacturer's weight restrictions and guidelines.

Inspect the electrical wiring for any signs of damage or wear. Replace or repair any damaged wiring before proceeding with the installation.

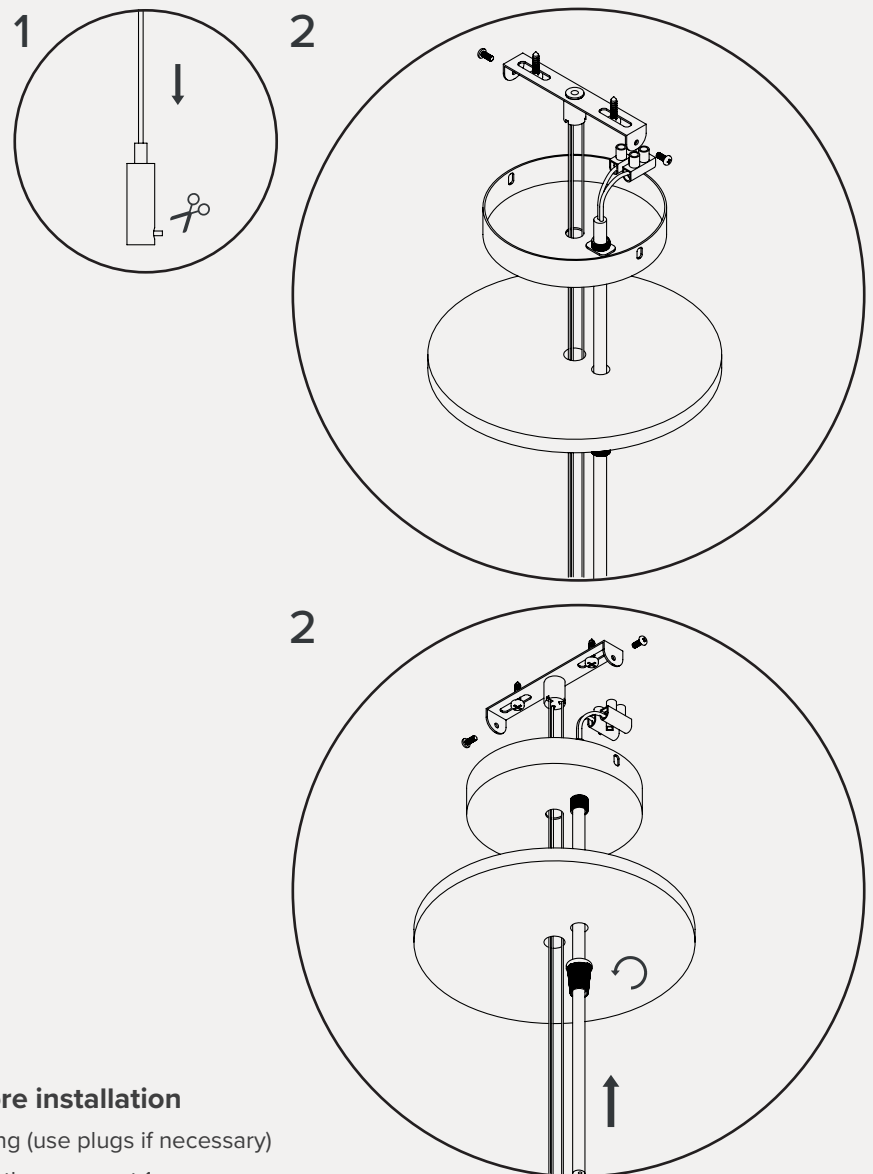
IMPORTANT! Turn off all the power before installation. Use a voltage tester to confirm that the power is turned off before proceeding. Never assume that the power is off based solely on the position of the light switch.

/ Installation option 2



/ Ceiling installation

TIP! Perform the installation with 2 people 1 person to hold the lamp during installation



/ STANDARD INSTALLATION

IMPORTANT! Turn off all the power before installation

STEP 1: Mount part 1 for the steel wires on the ceiling (use plugs if necessary)

STEP 2: Put the steel wire through part 2 and screw them on part 1

STEP 3: Hang the lamp on the steel wires and determine the height of the lamp

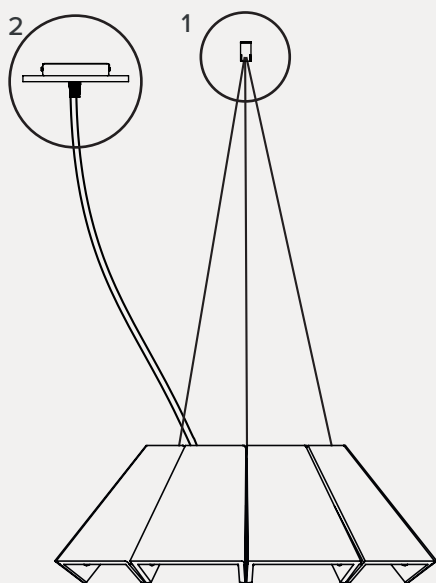
STEP 4: Cut off the remaining steel wires **IMPORTANT!** (keep a piece of steel wire to adjust the lamp later if necessary)

STEP 5: Mount the bracket for the ceiling rose to the ceiling

STEP 5: Adjust the power cable to the correct length (trim if necessary)

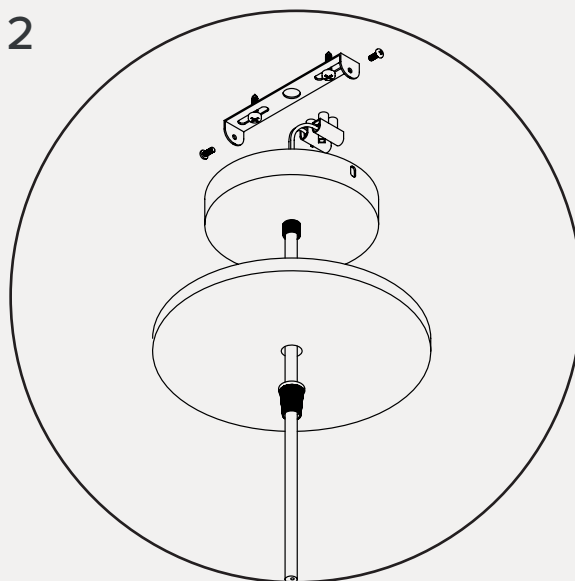
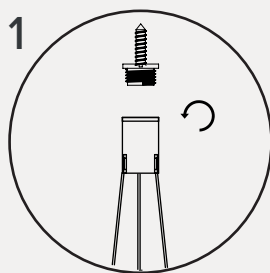
STEP 7: Mount the ceiling rose to the bracket

/ STANDARD INSTALLATION SPACE



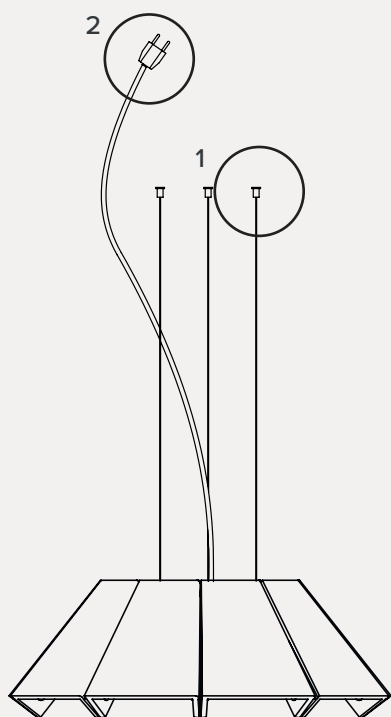
/ Ceiling installation

TIP! Perform the installation with 2 people 1 person to hold the lamp during installation

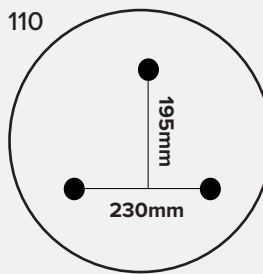
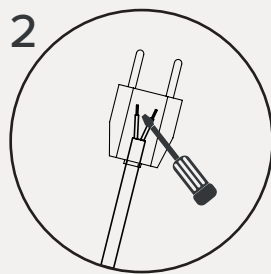
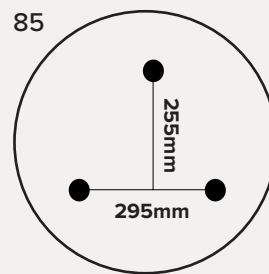
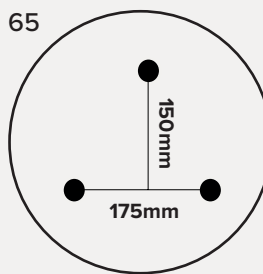
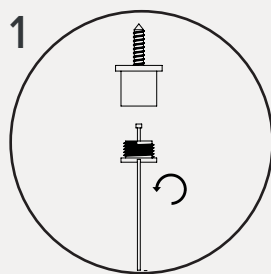


/ Installation option 3

NOT STANDARD! Contact for more info



/ Ceiling installation



/ CONNECT WITH APP

- 1 Download and install (LampSmart Pro) app
- 2 Open app homepage and click + button
- 3 Give your device a name and confirm
- 4 Open device page and look for the pairing button (make sure bluetooth is turned on)
- 5 Turn the lamp off and on and immediately push the pairing button

DESIGNS TRACKER[®]

LINE-06-G-W

