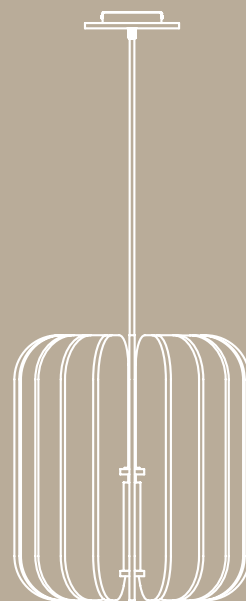
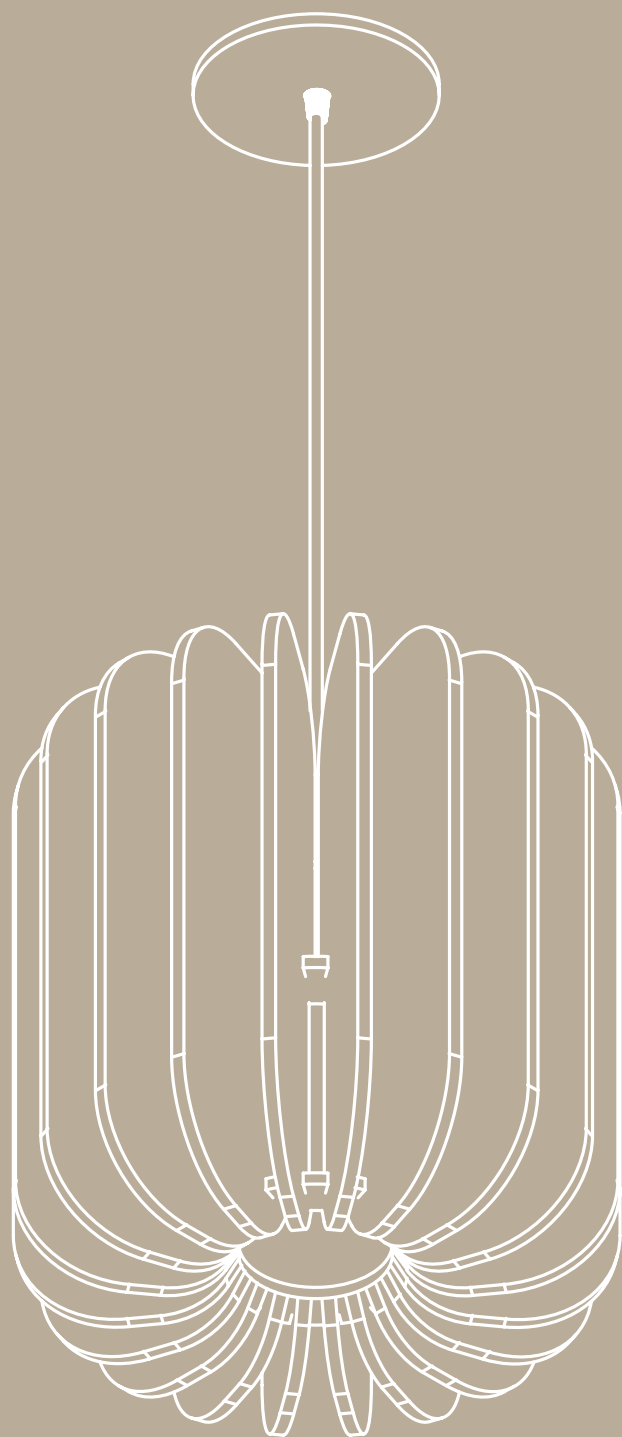
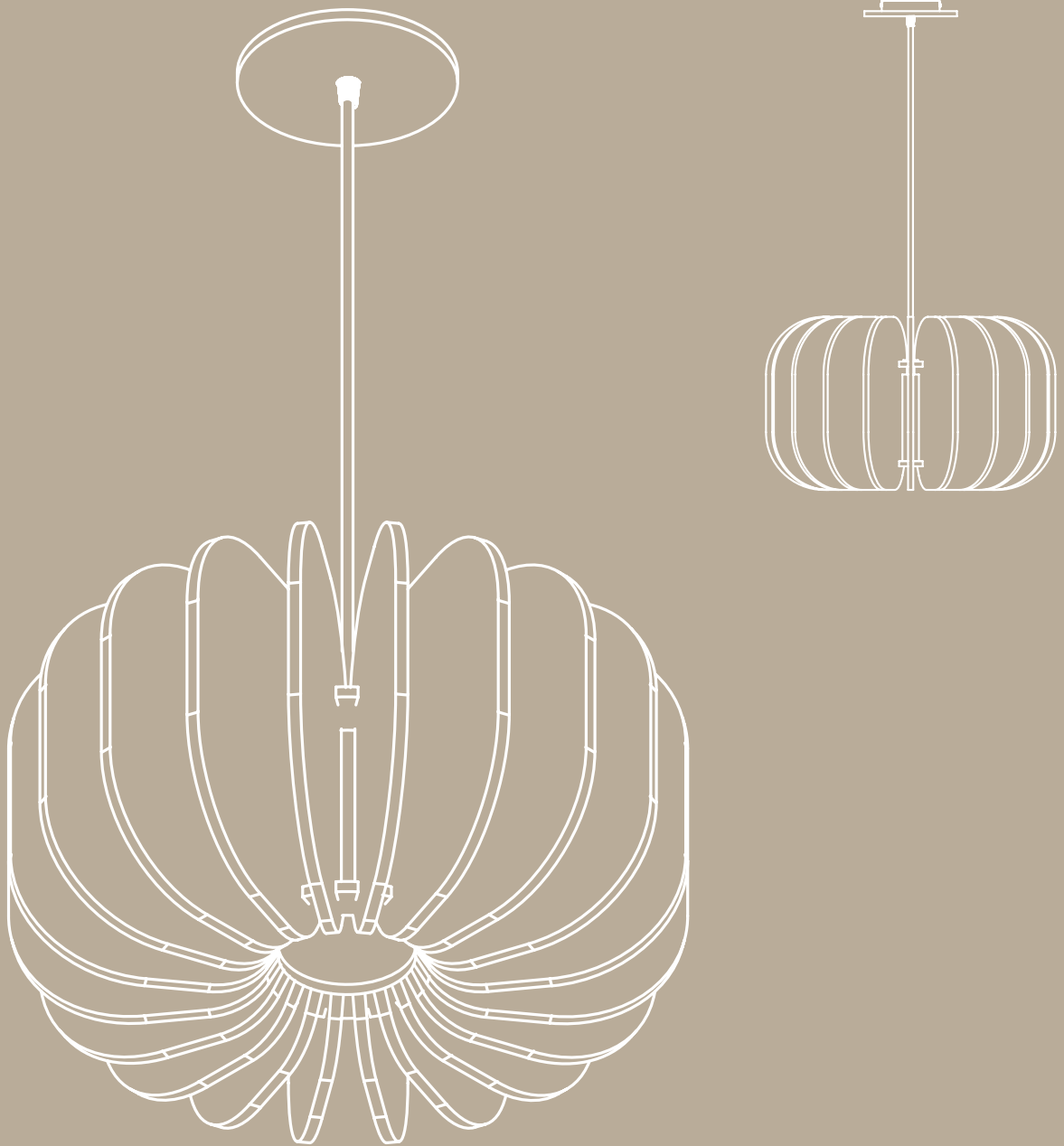


# SPOT ON I





# SPOT ON II

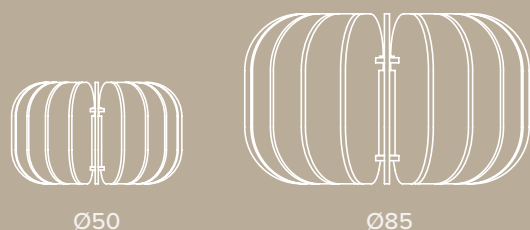
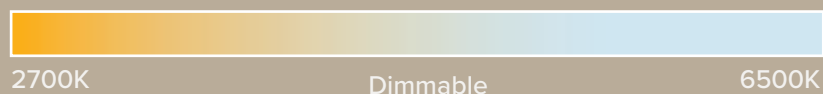


# TECHNICAL SPECIFICATIONS SPOT ON II



Input Voltage:	AC100-265V
LED Power SPOT ON50:	20W (1800lm)
LED Power SPOT ON85:	40W (3600lm)
Efficiency(lm/w):	90lm/w
LED Type:	CHIP (LEDspot)
Color Rendering Index(CRI):	90 Ra
Dimensions SPOT ON40:	Ø50x30cm
Dimensions SPOT ON85:	Ø85x50cm
Cable length:	200cm
Control:	TUYA smart app

Optional dimming:  
contact for more info



# TECHNICAL SPECIFICATIONS PETBOARD

Composition:	100% PET (> 70% recycled PET)
Thickness:	9mm
Density:	210kg/m <sup>3</sup>
Weight:	1900g/m <sup>2</sup> (± 2%)
Number of PET-bottles:	55/m <sup>2</sup>
PETpanel colors:	33
Fire test EN 13501-1:	B-S1, d0 (B: nearly non-combustible S1: low smoke production d0: no droplet formation during fire)
Sound-absorbing surface SPOT ON50:	0,86m <sup>2</sup> (± 5%)
Sound-absorbing surface SPOT ON85:	2,47m <sup>2</sup> (± 5%)
Sound absorption petboard αw/m <sup>2</sup> :	0,25
Sound absorption petboard NRC/m <sup>2</sup> :	0,30



# INSTALLATION GUIDE **SPOT ON**

## IMPORTANT SAFETY INSTRUCTIONS

Before assembling your lighting fixture, please make sure that you carefully read through this instruction sheet. Save this instruction sheet and refer to it when additions to or changes in the fixture configuration are made.

IF YOU ARE NOT FAMILIAR WITH THE INSTALLATION OF LUMINAIRES THEN WE WOULD RECOMMEND TO CONSULT A QUALIFIED ELECTRICIAN TO ENSURE THIS PRODUCT IS PROPERLY INSTALLED.

NOTE: The important safeguards and instructions that appear in this manual are not meant to cover all possible conditions and situations that may occur. It must be understood that common sense, caution, and care, are factors that can't be built into any product. These factors must be supplied by the person(s) caring for and operating the fixture.

Read all instructions

Do not install this fixture in hazardous locations (for example do not hang the lamp in direct sunlight)

Do not install any fixture assembly closer than 20 centimeter from any curtain or similar combustible material.

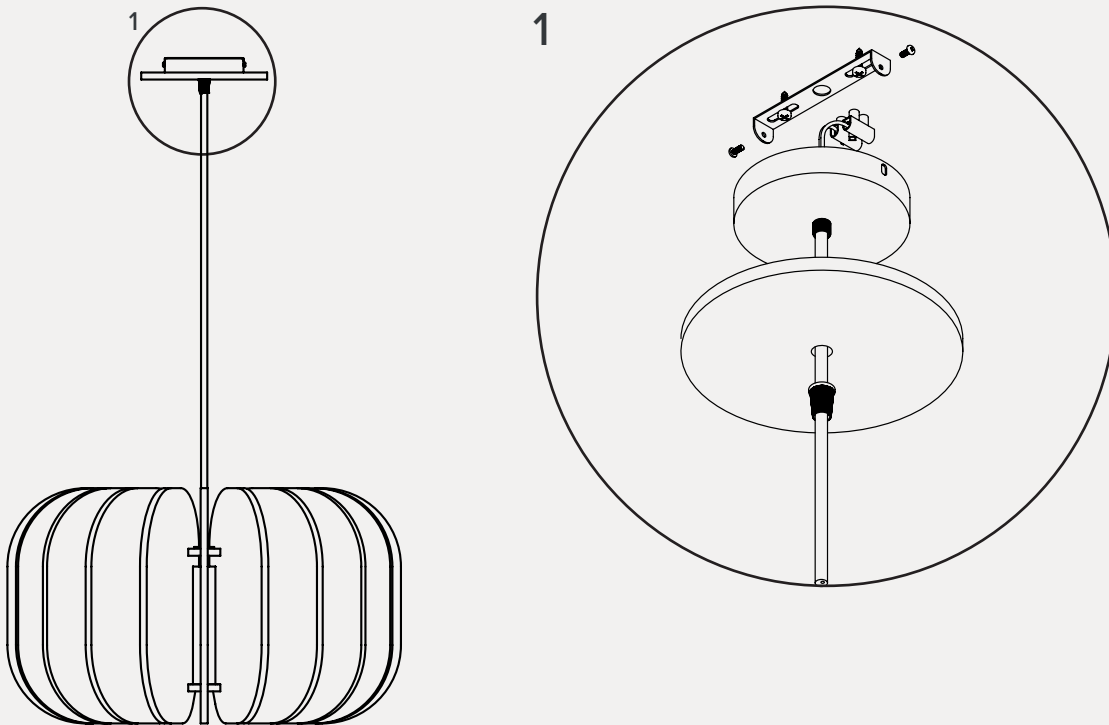
“WARNING Risk of Fire and Electric Shock.” Wear appropriate safety gear, such as gloves and safety goggles, to protect yourself from potential electrical hazards.

Ensure that the mounting surface and supporting hardware can safely bear the weight of the lamp. Follow the manufacturer's weight restrictions and guidelines.

Inspect the electrical wiring for any signs of damage or wear. Replace or repair any damaged wiring before proceeding with the installation.

**IMPORTANT! Turn off all the power before installation. Use a voltage tester to confirm that the power is turned off before proceeding. Never assume that the power is off based solely on the position of the light switch.**

## / STANDARD INSTALLATION



## / STANDARD INSTALLATION

**IMPORTANT! Turn off all the power before installation**

STEP 1: Mount the bracket for the ceiling rose to the ceiling

STEP 2: Determine the height of the lamp

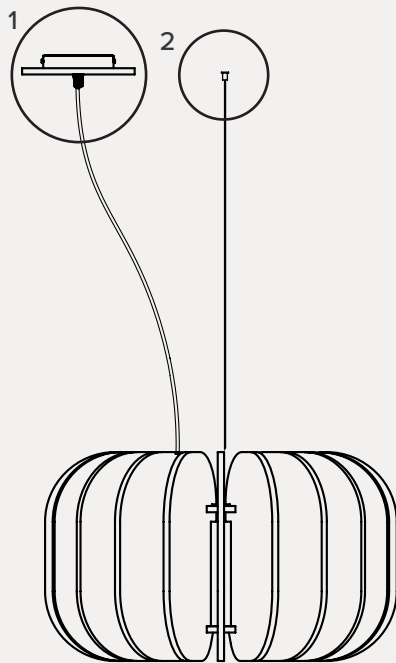
STEP 3: Adjust the power cable to the correct length (trim if necessary)

STEP 4: Mount the ceiling rose to the bracket

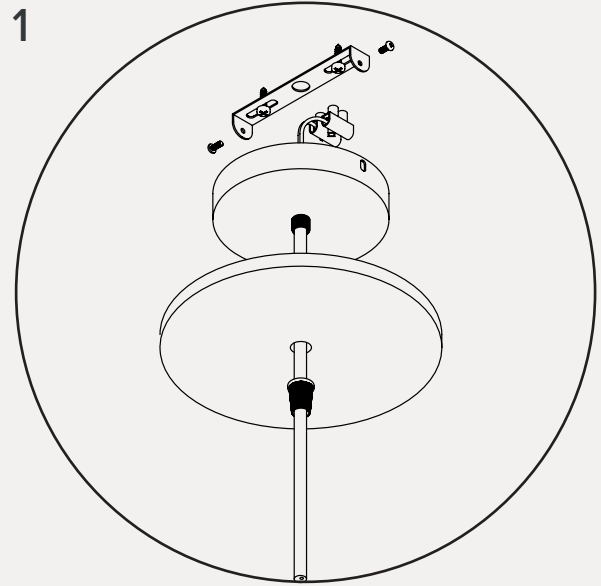
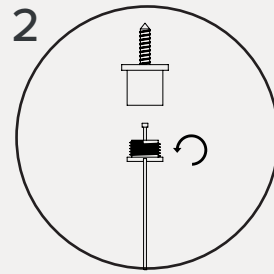
# OTHER INSTALLATION OPTIONS **SPOT ON**

## / Installation option 2

**NOT STANDARD! Contact for more info**

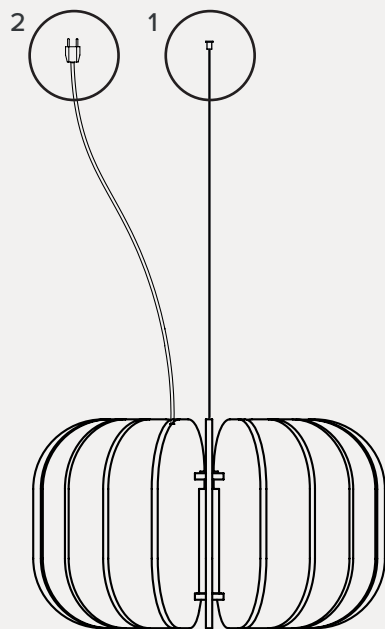


## / Ceiling installation

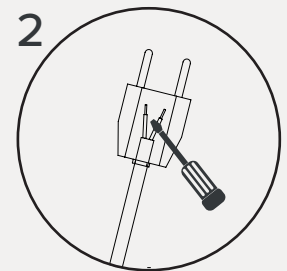
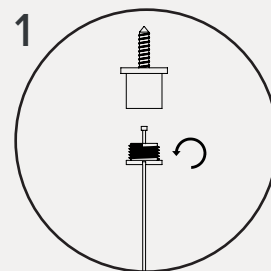


## / Installation option 3

**NOT STANDARD! Contact for more info**



## / Ceiling installation



## / **CONNECT WITH APP**

- 1 Download and install (TUYA Smart) app
- 2 Connect app with home wifi network
- 3 Turn the lamp on and off 3-6 times. The device will enter pairing mode (light starts flashing)
- 4 Open app homepage and click + button at the upper right corner of the page
- 5 Add the device. (you can only find the device when it is in pairing mode)