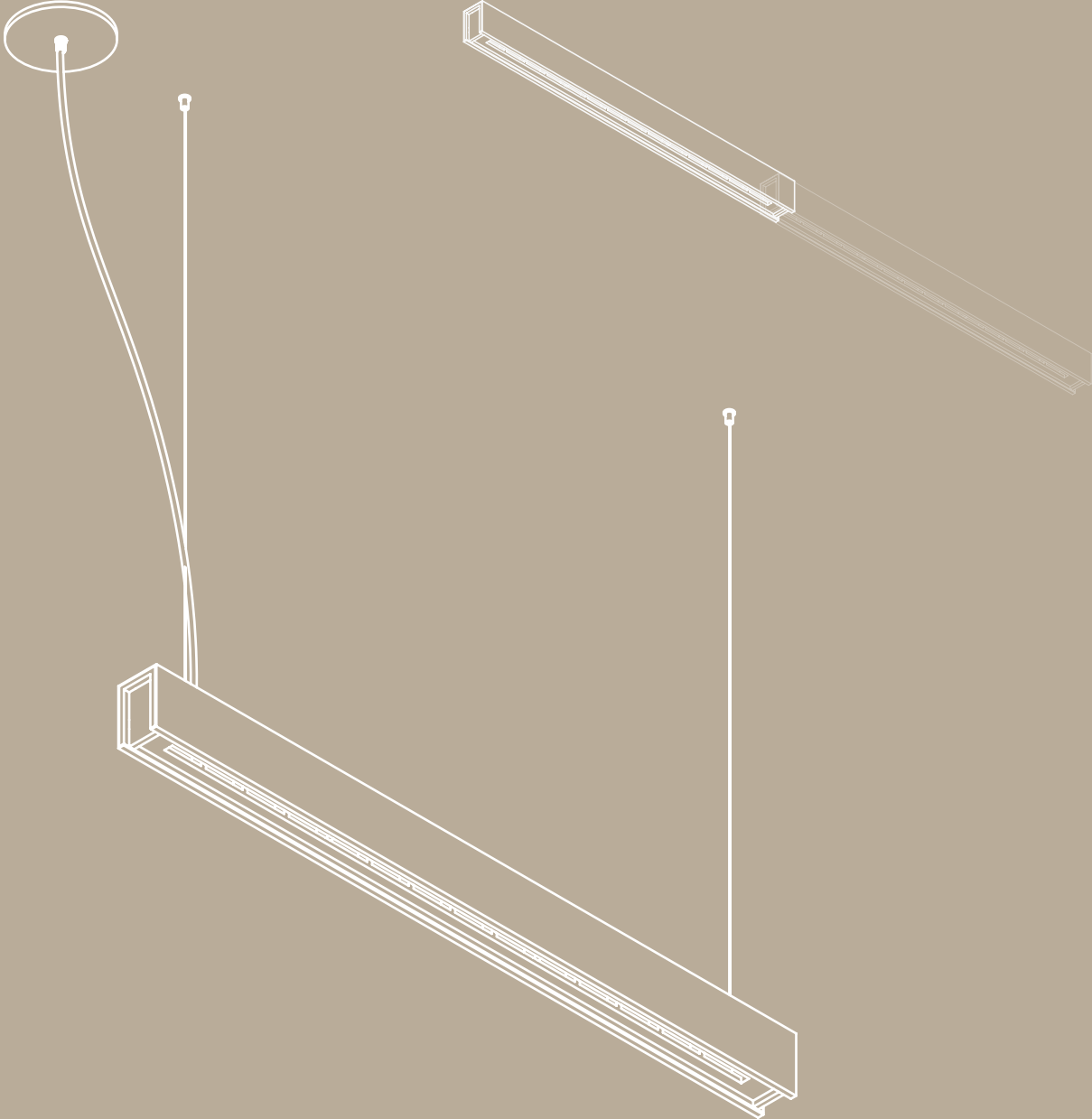


LINE

1200mm



600mm

2000mm

TECHNICAL SPECIFICATIONS LINE



IP20

AC

230V



35°



Input Voltage:	AC 100V-240V (50-60Hz)
LED Power:	24W/1000mm
LED Power LINE 1200mm:	28,8W
LED Type:	SMD5050 (LEDstrip)
Efficiency(lm/w):	80lm/w
Lamp Luminous Flux(lm):	2304lm
Color Rendering Index(CRI):	80 Ra
Dimensions LINE:	120x7x10cm
Cable length:	200cm
Control:	TUYA smart app/Remote



STANDARD: Single LED rail 24W/1000mm



Double LED rail 48W/1000mm



TECHNICAL SPECIFICATIONS PETBOARD

Composition:	100% PET (> 70% recycled PET)
Thickness:	9mm
Density:	210kg/m ³
Weight:	1900g/m ² (± 2%)
Number of PET-bottles:	55/m ²
PETpanel colors:	33
Fire test EN 13501-1:	B-S1, d0 (B: nearly non-combustible S1: low smoke production d0: no droplet formation during fire)
Sound-absorbing surface LINE:	0,36m ² (± 5%)
Sound absorption petboard aw/m ² :	0,25
Sound absorption petboard NRC/m ² :	0,30





DESIGNS TRACKER[®]
LINE-65-G-W

INSTALLATION GUIDE **LINE**

IMPORTANT SAFETY INSTRUCTIONS

Before assembling your lighting fixture, please make sure that you carefully read through this instruction sheet. Save this instruction sheet and refer to it when additions to or changes in the fixture configuration are made.

IF YOU ARE NOT FAMILIAR WITH THE INSTALLATION OF LUMINAIRES THEN WE WOULD RECOMMEND TO CONSULT A QUALIFIED ELECTRICIAN TO ENSURE THIS PRODUCT IS PROPERLY INSTALLED.

NOTE: The important safeguards and instructions that appear in this manual are not meant to cover all possible conditions and situations that may occur. It must be understood that common sense, caution, and care, are factors that can't be built into any product. These factors must be supplied by the person(s) caring for and operating the fixture.

Read all instructions

Do not install this fixture in hazardous locations (for example do not hang the lamp in direct sunlight)

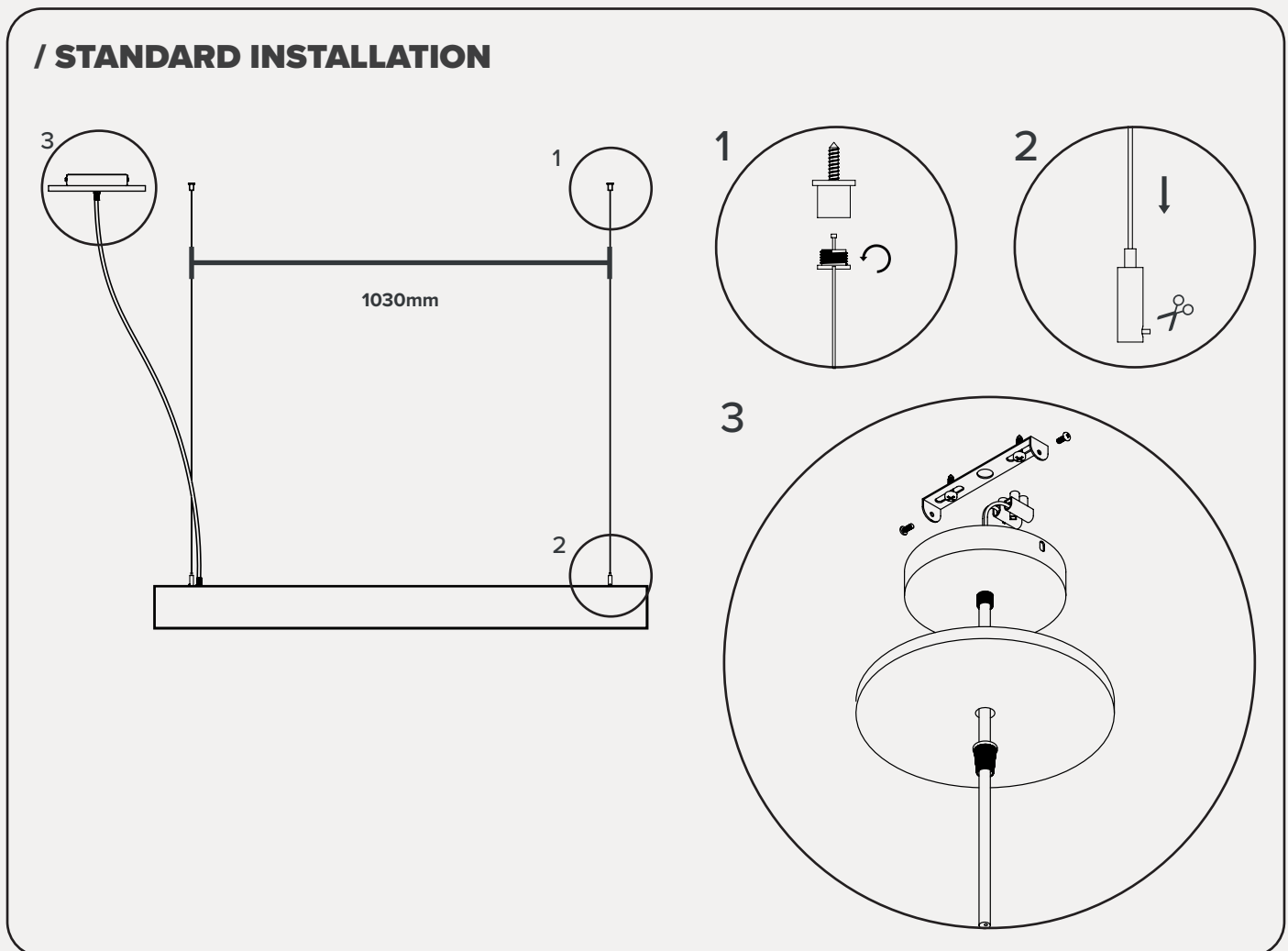
Do not install any fixture assembly closer than 20 centimeter from any curtain or similar combustible material.

“WARNING Risk of Fire and Electric Shock.” Wear appropriate safety gear, such as gloves and safety goggles, to protect yourself from potential electrical hazards.

Ensure that the mounting surface and supporting hardware can safely bear the weight of the lamp. Follow the manufacturer's weight restrictions and guidelines.

Inspect the electrical wiring for any signs of damage or wear. Replace or repair any damaged wiring before proceeding with the installation.

IMPORTANT! Turn off all the power before installation. Use a voltage tester to confirm that the power is turned off before proceeding. Never assume that the power is off based solely on the position of the light switch.



/ STANDARD INSTALLATION

IMPORTANT! Turn off all the power before installation

STEP 1: Mount part 1 for the steel wires on the ceiling (use plugs if necessary)

STEP 2: Put the steel wire through part 2 and screw them on part 1

STEP 3: Hang the lamp on the steel wires and determine the height of the lamp

STEP 4: Cut off the remaining steel wires **IMPORTANT!** (keep a piece of steel wire to adjust the lamp later if necessary)

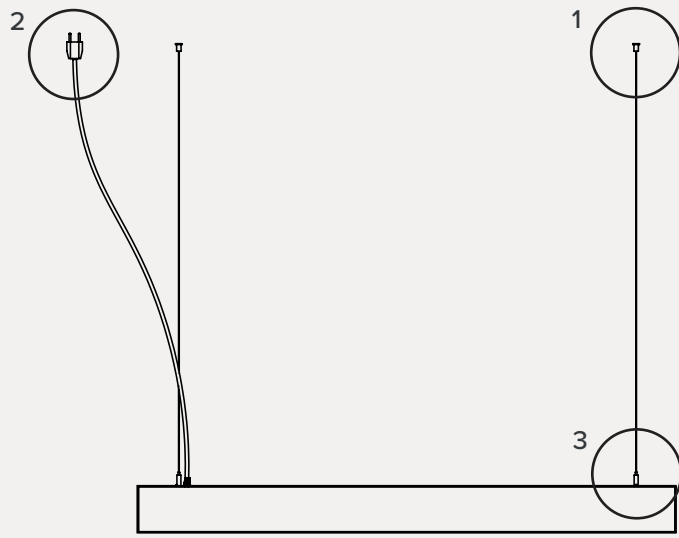
STEP 5: Mount the bracket for the ceiling rose to the ceiling

STEP 5: Adjust the power cable to the correct length (trim if necessary)

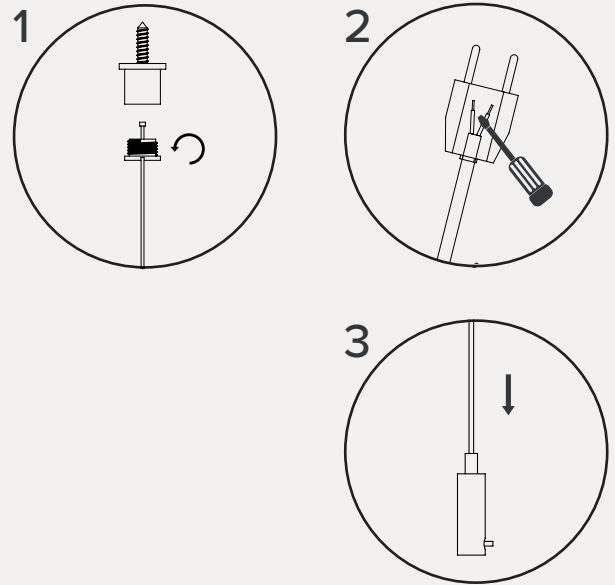
STEP 7: Mount the ceiling rose to the bracket

OTHER INSTALLATION OPTIONS **LINE**

/ Installation option 2
NOT STANDARD! Contact for more info



/ Ceiling installation



/ **CONNECT WITH APP**

- 1 Download and install (TUYA Smart) app
- 2 Connect app with home wifi network
- 3 Turn the lamp on and off 3-6 times. The device will enter pairing mode (light starts flashing)
- 4 Open app homepage and click + button at the upper right corner of the page
- 5 Add the device. (you can only find the device when it is in pairing mode)